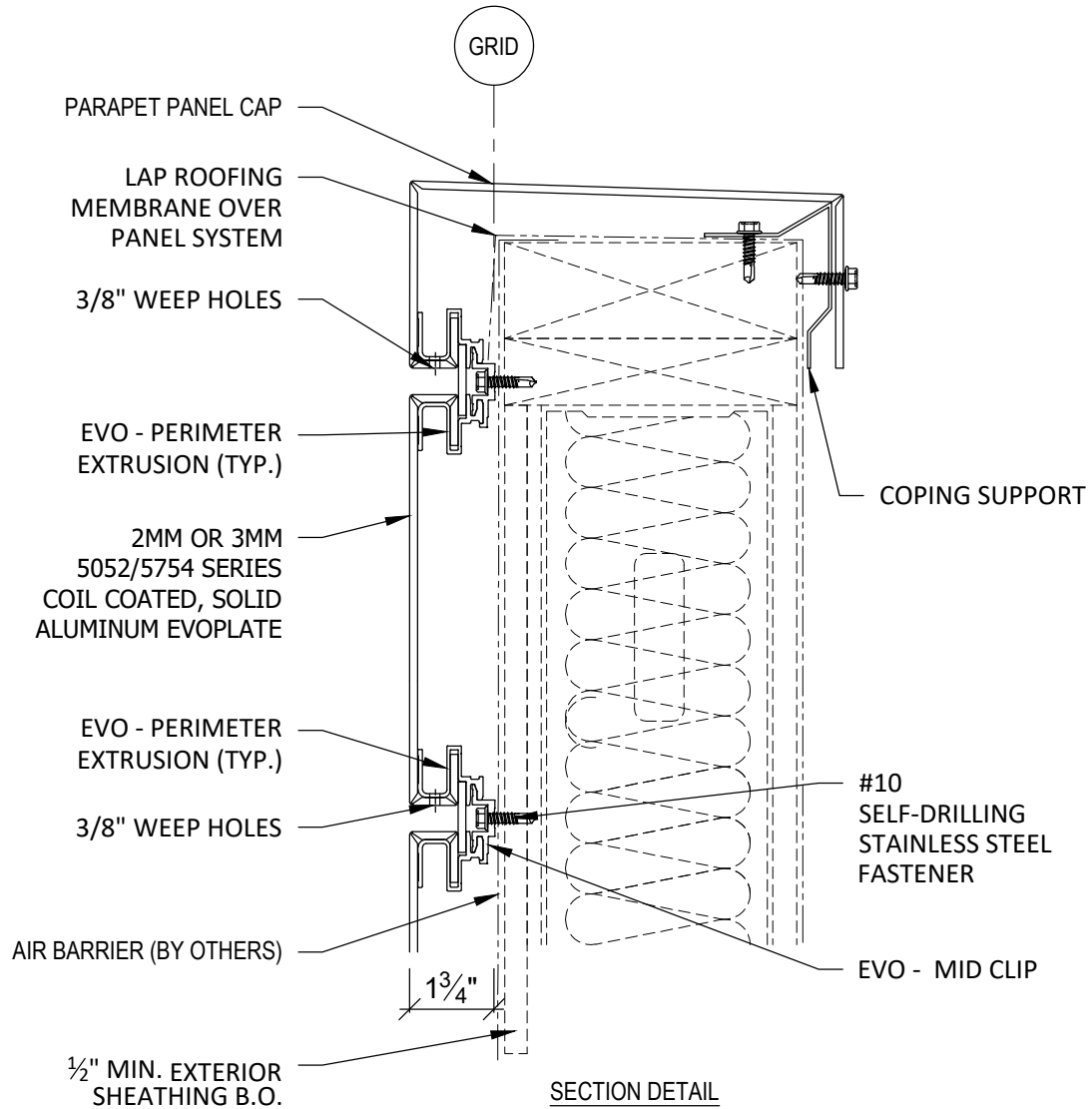




**CARTER**  
ARCHITECTURAL PANELS INC

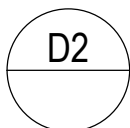
"Changing the Standard by Design"  
BUILDING ENVELOPE SOLUTIONS

CARTER ARCHITECTURAL PANELS INC.  
221 E. WILLIS ROAD, BUILDING A, UNIT 18  
CHANDLER, AZ 85286  
TOLL FREE: 1-844-888-5088  
PHONE: (480) 899-3955  
FAX: (480) 899-3613  
www.carterpanels.com



NOTES:

1. INSTALLATION TO BE COMPLETED IN ACCORDANCE WITH MANUFACTURER'S SPECIFICATIONS.
2. DO NOT SCALE DRAWING.
3. THIS DRAWING IS INTENDED FOR USE BY ARCHITECTS, ENGINEERS, CONTRACTORS, CONSULTANTS AND DESIGN PROFESSIONALS FOR PLANNING PURPOSES ONLY. THIS DRAWING MAY NOT BE USED FOR CONSTRUCTION.
4. ALL INFORMATION CONTAINED HEREIN WAS CURRENT AT THE TIME OF DEVELOPMENT BUT MUST BE REVIEWED AND APPROVED BY THE PRODUCT MANUFACTURER TO BE CONSIDERED ACCURATE.
5. CONTRACTOR'S NOTE: FOR PRODUCT AND COMPANY INFORMATION VISIT [www.CADdetails.com/info](http://www.CADdetails.com/info) AND ENTER REFERENCE NUMBER : EVO - EVOPLATE-D2



**PARAPET CAP**

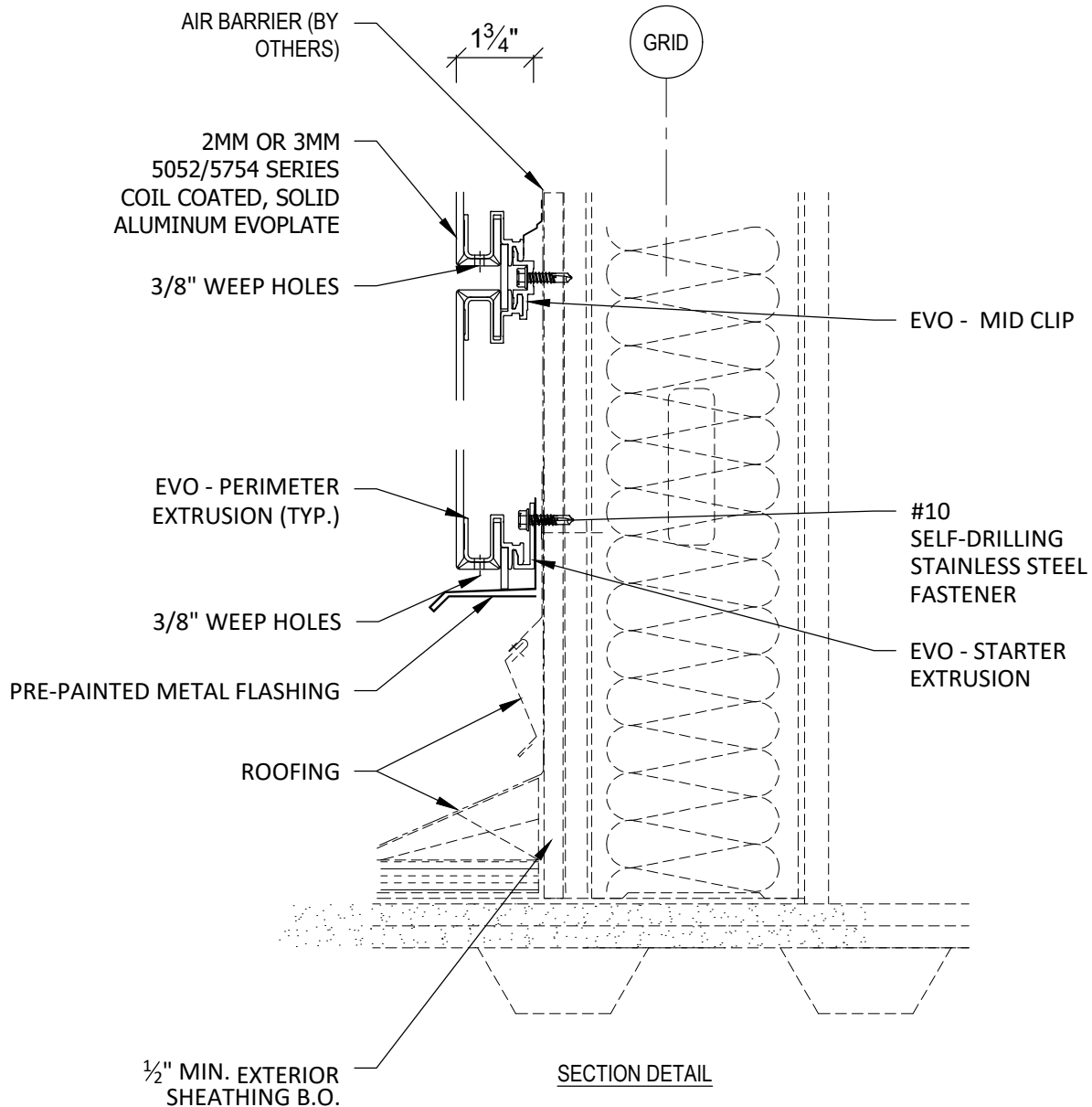
WALL SOLUTION: PARAPET CAP DETAIL OPTION 2 ( SECTION )



**CARTER**  
ARCHITECTURAL PANELS INC

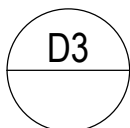
"Changing the Standard by Design"  
BUILDING ENVELOPE SOLUTIONS

CARTER ARCHITECTURAL PANELS INC.  
221 E. WILLIS ROAD, BUILDING A, UNIT 18  
CHANDLER, AZ 85286  
TOLL FREE: 1-844-888-5088  
PHONE: (480) 899-3955  
FAX: (480) 899-3613  
www.carterpanels.com



NOTES:

1. INSTALLATION TO BE COMPLETED IN ACCORDANCE WITH MANUFACTURER'S SPECIFICATIONS.
2. DO NOT SCALE DRAWING.
3. THIS DRAWING IS INTENDED FOR USE BY ARCHITECTS, ENGINEERS, CONTRACTORS, CONSULTANTS AND DESIGN PROFESSIONALS FOR PLANNING PURPOSES ONLY. THIS DRAWING MAY NOT BE USED FOR CONSTRUCTION.
4. ALL INFORMATION CONTAINED HEREIN WAS CURRENT AT THE TIME OF DEVELOPMENT BUT MUST BE REVIEWED AND APPROVED BY THE PRODUCT MANUFACTURER TO BE CONSIDERED ACCURATE.
5. CONTRACTOR'S NOTE: FOR PRODUCT AND COMPANY INFORMATION VISIT [www.CADdetails.com/info](http://www.CADdetails.com/info) AND ENTER REFERENCE NUMBER : EVO - EVOPLATE-D3



**BASE - ROOF / WALL TRANSITION**

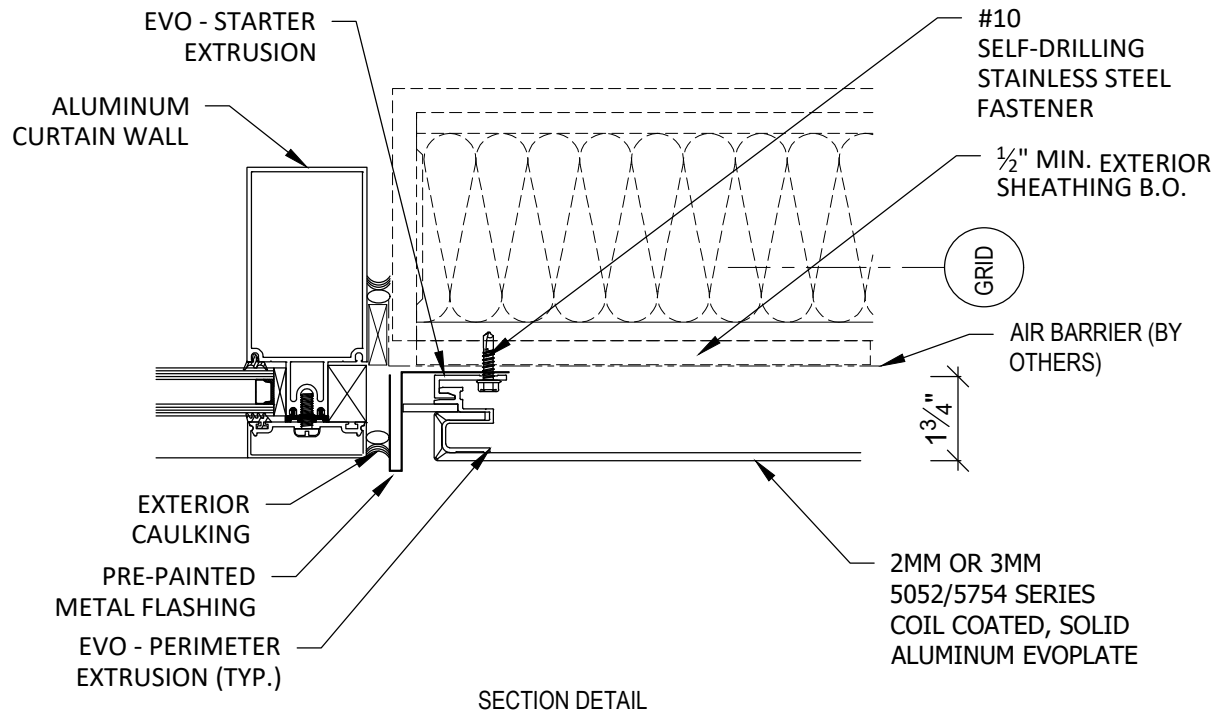
WALL SOLUTION: BASE DETAIL - ROOF / WALL TRANSITION ( SECTION )



**CARTER**  
ARCHITECTURAL PANELS INC

"Changing the Standard by Design"  
BUILDING ENVELOPE SOLUTIONS

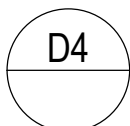
CARTER ARCHITECTURAL PANELS INC.  
221 E. WILLIS ROAD, BUILDING A, UNIT 18  
CHANDLER, AZ 85286  
TOLL FREE: 1-844-888-5088  
PHONE: (480) 899-3955  
FAX: (480) 899-3613  
www.carterpanels.com



SECTION DETAIL

NOTES:

1. INSTALLATION TO BE COMPLETED IN ACCORDANCE WITH MANUFACTURER'S SPECIFICATIONS.
2. DO NOT SCALE DRAWING.
3. THIS DRAWING IS INTENDED FOR USE BY ARCHITECTS, ENGINEERS, CONTRACTORS, CONSULTANTS AND DESIGN PROFESSIONALS FOR PLANNING PURPOSES ONLY. THIS DRAWING MAY NOT BE USED FOR CONSTRUCTION.
4. ALL INFORMATION CONTAINED HEREIN WAS CURRENT AT THE TIME OF DEVELOPMENT BUT MUST BE REVIEWED AND APPROVED BY THE PRODUCT MANUFACTURER TO BE CONSIDERED ACCURATE.
5. CONTRACTOR'S NOTE: FOR PRODUCT AND COMPANY INFORMATION VISIT [www.CADdetails.com/info](http://www.CADdetails.com/info) AND ENTER REFERENCE NUMBER : EVO - EVOPLATE-D4



**JAMB**

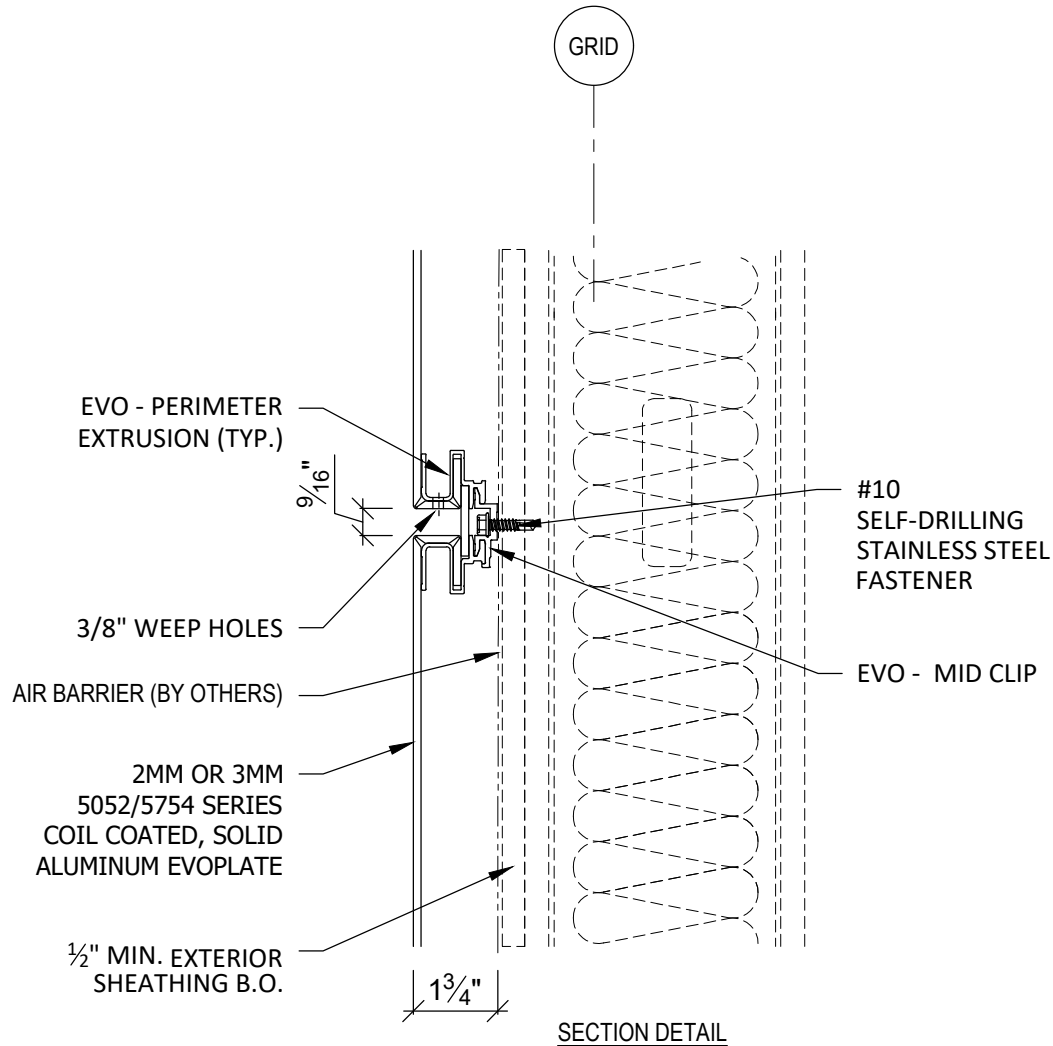
WALL SOLUTION: JAMB DETAIL ( PLAN )



**CARTER**  
ARCHITECTURAL PANELS INC

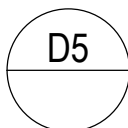
"Changing the Standard by Design"  
BUILDING ENVELOPE SOLUTIONS

CARTER ARCHITECTURAL PANELS INC.  
221 E. WILLIS ROAD, BUILDING A, UNIT 18  
CHANDLER, AZ 85286  
TOLL FREE: 1-844-888-5088  
PHONE: (480) 899-3955  
FAX: (480) 899-3613  
www.carterpanels.com



NOTES:

1. INSTALLATION TO BE COMPLETED IN ACCORDANCE WITH MANUFACTURER'S SPECIFICATIONS.
2. DO NOT SCALE DRAWING.
3. THIS DRAWING IS INTENDED FOR USE BY ARCHITECTS, ENGINEERS, CONTRACTORS, CONSULTANTS AND DESIGN PROFESSIONALS FOR PLANNING PURPOSES ONLY. THIS DRAWING MAY NOT BE USED FOR CONSTRUCTION.
4. ALL INFORMATION CONTAINED HEREIN WAS CURRENT AT THE TIME OF DEVELOPMENT BUT MUST BE REVIEWED AND APPROVED BY THE PRODUCT MANUFACTURER TO BE CONSIDERED ACCURATE.
5. CONTRACTOR'S NOTE: FOR PRODUCT AND COMPANY INFORMATION VISIT [www.CADdetails.com/info](http://www.CADdetails.com/info) AND ENTER REFERENCE NUMBER : EVO - EVOPLATE-D5



**JOINTS**

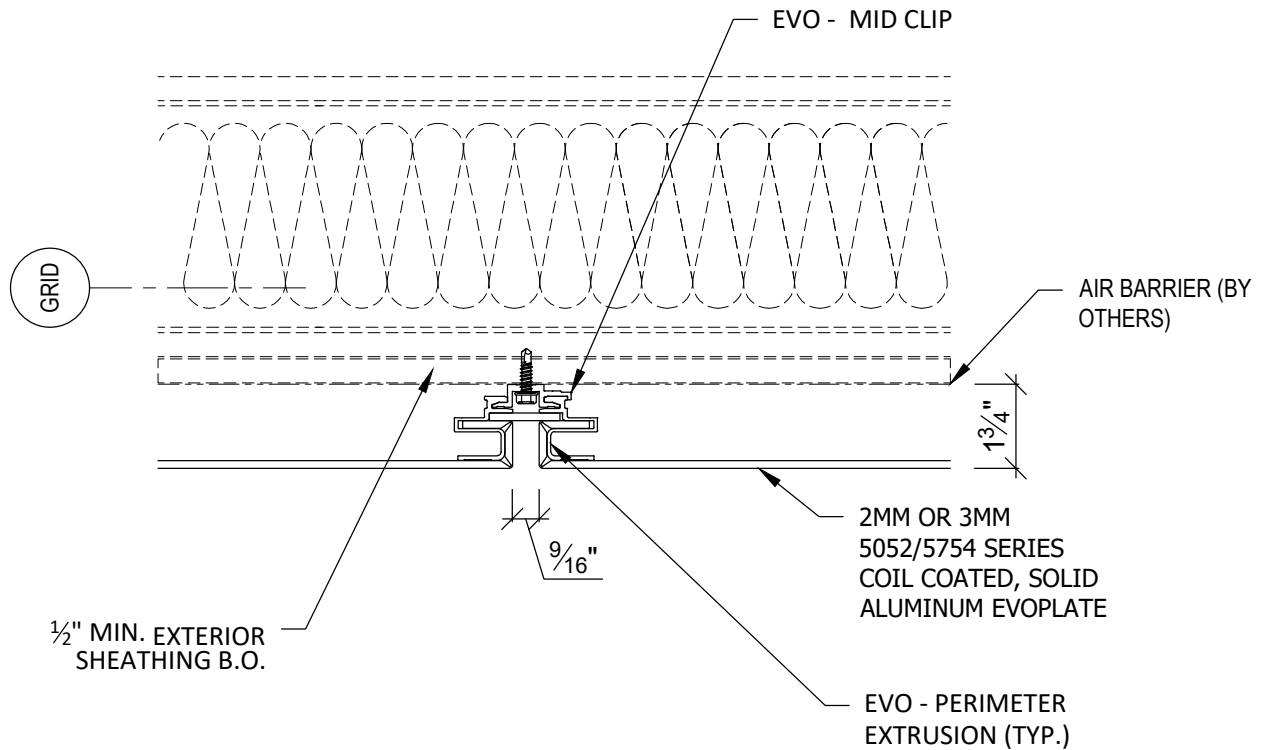
WALL SOLUTION: HORIZONTAL JOINT DETAIL ( SECTION )



**CARTER**  
ARCHITECTURAL PANELS INC

"Changing the Standard by Design"  
BUILDING ENVELOPE SOLUTIONS

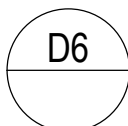
CARTER ARCHITECTURAL PANELS INC.  
221 E. WILLIS ROAD, BUILDING A, UNIT 18  
CHANDLER, AZ 85286  
TOLL FREE: 1-844-888-5088  
PHONE: (480) 899-3955  
FAX: (480) 899-3613  
www.carterpanels.com



SECTION DETAIL

NOTES:

1. INSTALLATION TO BE COMPLETED IN ACCORDANCE WITH MANUFACTURER'S SPECIFICATIONS.
2. DO NOT SCALE DRAWING.
3. THIS DRAWING IS INTENDED FOR USE BY ARCHITECTS, ENGINEERS, CONTRACTORS, CONSULTANTS AND DESIGN PROFESSIONALS FOR PLANNING PURPOSES ONLY. THIS DRAWING MAY NOT BE USED FOR CONSTRUCTION.
4. ALL INFORMATION CONTAINED HEREIN WAS CURRENT AT THE TIME OF DEVELOPMENT BUT MUST BE REVIEWED AND APPROVED BY THE PRODUCT MANUFACTURER TO BE CONSIDERED ACCURATE.
5. CONTRACTOR'S NOTE: FOR PRODUCT AND COMPANY INFORMATION VISIT [www.CADdetails.com/info](http://www.CADdetails.com/info) AND ENTER REFERENCE NUMBER : EVO - EVOPLATE-D6



**JOINTS**

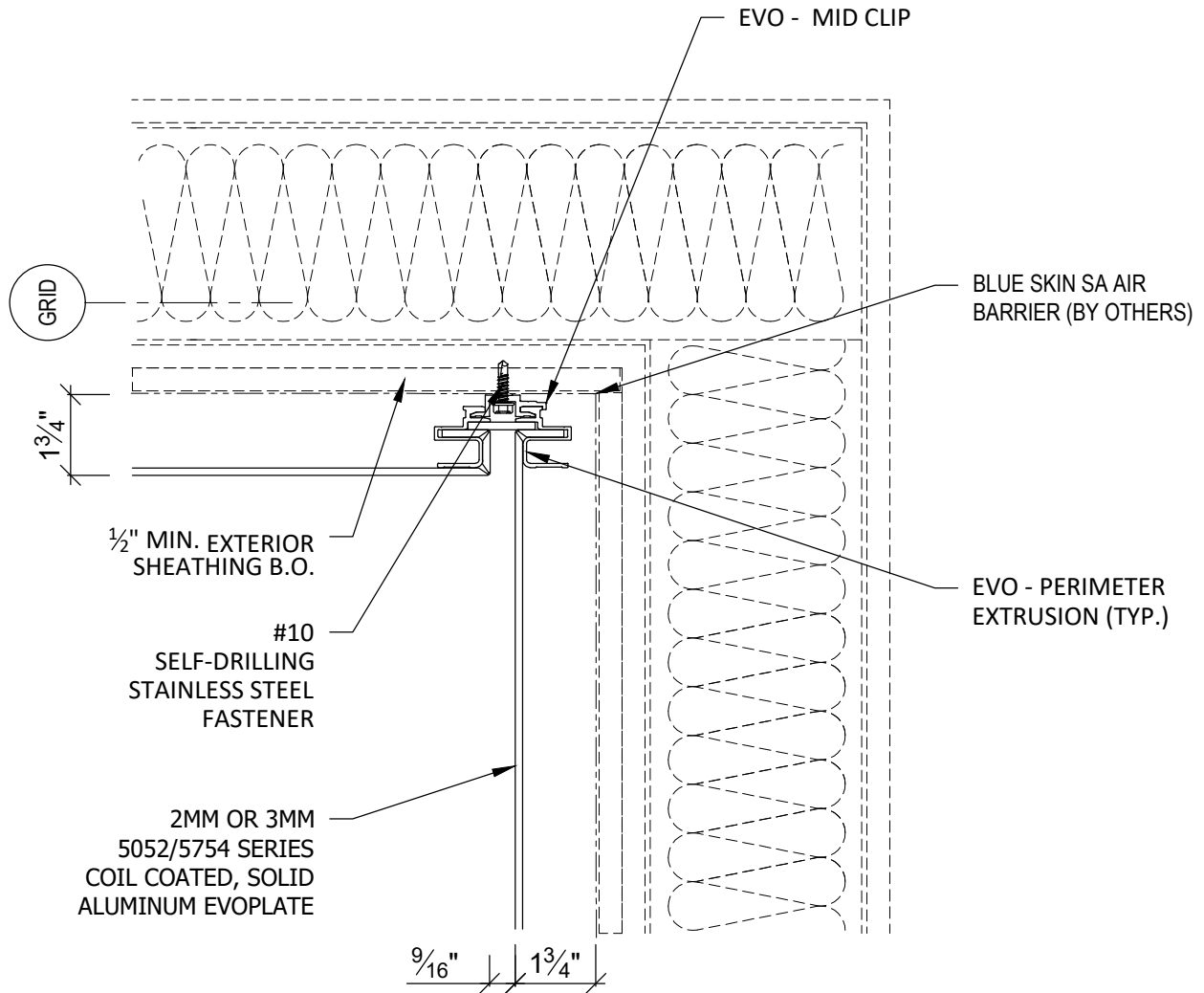
WALL SOLUTION: VERTICAL JOINT DETAIL ( SECTION )



**CARTER**  
ARCHITECTURAL PANELS INC

"Changing the Standard by Design"  
BUILDING ENVELOPE SOLUTIONS

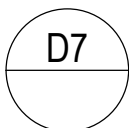
CARTER ARCHITECTURAL PANELS INC.  
221 E. WILLIS ROAD, BUILDING A, UNIT 18  
CHANDLER, AZ 85286  
TOLL FREE: 1-844-888-5088  
PHONE: (480) 899-3955  
FAX: (480) 899-3613  
www.carterpanels.com



SECTION DETAIL

NOTES:

1. INSTALLATION TO BE COMPLETED IN ACCORDANCE WITH MANUFACTURER'S SPECIFICATIONS.
2. DO NOT SCALE DRAWING.
3. THIS DRAWING IS INTENDED FOR USE BY ARCHITECTS, ENGINEERS, CONTRACTORS, CONSULTANTS AND DESIGN PROFESSIONALS FOR PLANNING PURPOSES ONLY. THIS DRAWING MAY NOT BE USED FOR CONSTRUCTION.
4. ALL INFORMATION CONTAINED HEREIN WAS CURRENT AT THE TIME OF DEVELOPMENT BUT MUST BE REVIEWED AND APPROVED BY THE PRODUCT MANUFACTURER TO BE CONSIDERED ACCURATE.
5. CONTRACTOR'S NOTE: FOR PRODUCT AND COMPANY INFORMATION VISIT [www.CADdetails.com/info](http://www.CADdetails.com/info) AND ENTER REFERENCE NUMBER : EVO - EVOPLATE-D7



**INSIDE CORNER**

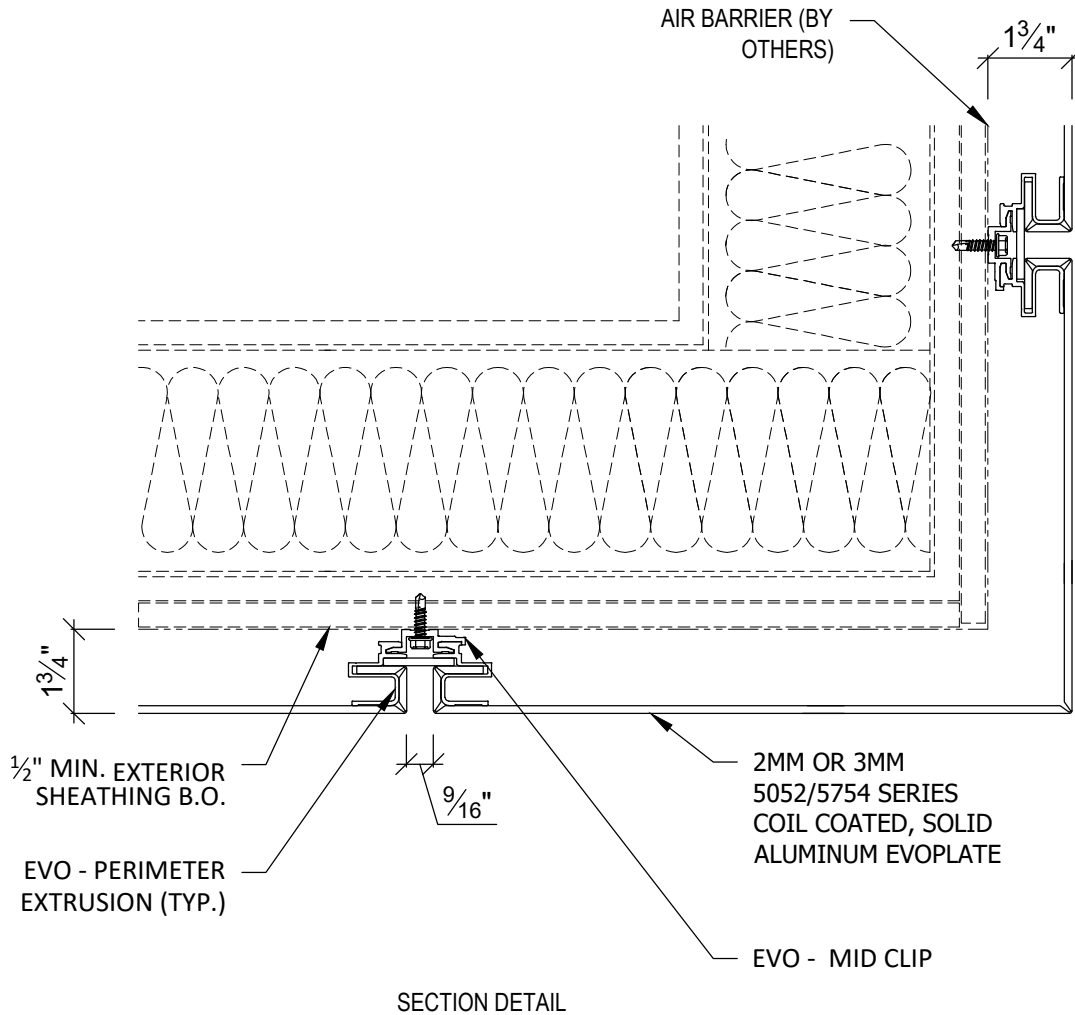
WALL SOLUTION: INSIDE CORNER DETAIL ( PLAN )



**CARTER**  
ARCHITECTURAL PANELS INC

"Changing the Standard by Design"  
BUILDING ENVELOPE SOLUTIONS

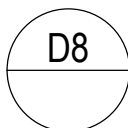
CARTER ARCHITECTURAL PANELS INC.  
221 E. WILLIS ROAD, BUILDING A, UNIT 18  
CHANDLER, AZ 85286  
TOLL FREE: 1-844-888-5088  
PHONE: (480) 899-3955  
FAX: (480) 899-3613  
www.carterpanels.com



SECTION DETAIL

NOTES:

1. INSTALLATION TO BE COMPLETED IN ACCORDANCE WITH MANUFACTURER'S SPECIFICATIONS.
2. DO NOT SCALE DRAWING.
3. THIS DRAWING IS INTENDED FOR USE BY ARCHITECTS, ENGINEERS, CONTRACTORS, CONSULTANTS AND DESIGN PROFESSIONALS FOR PLANNING PURPOSES ONLY. THIS DRAWING MAY NOT BE USED FOR CONSTRUCTION.
4. ALL INFORMATION CONTAINED HEREIN WAS CURRENT AT THE TIME OF DEVELOPMENT BUT MUST BE REVIEWED AND APPROVED BY THE PRODUCT MANUFACTURER TO BE CONSIDERED ACCURATE.
5. CONTRACTOR'S NOTE: FOR PRODUCT AND COMPANY INFORMATION VISIT [www.CADdetails.com/info](http://www.CADdetails.com/info) AND ENTER REFERENCE NUMBER : EVO - EVOPLATE-D8



**OUTSIDE CORNER**

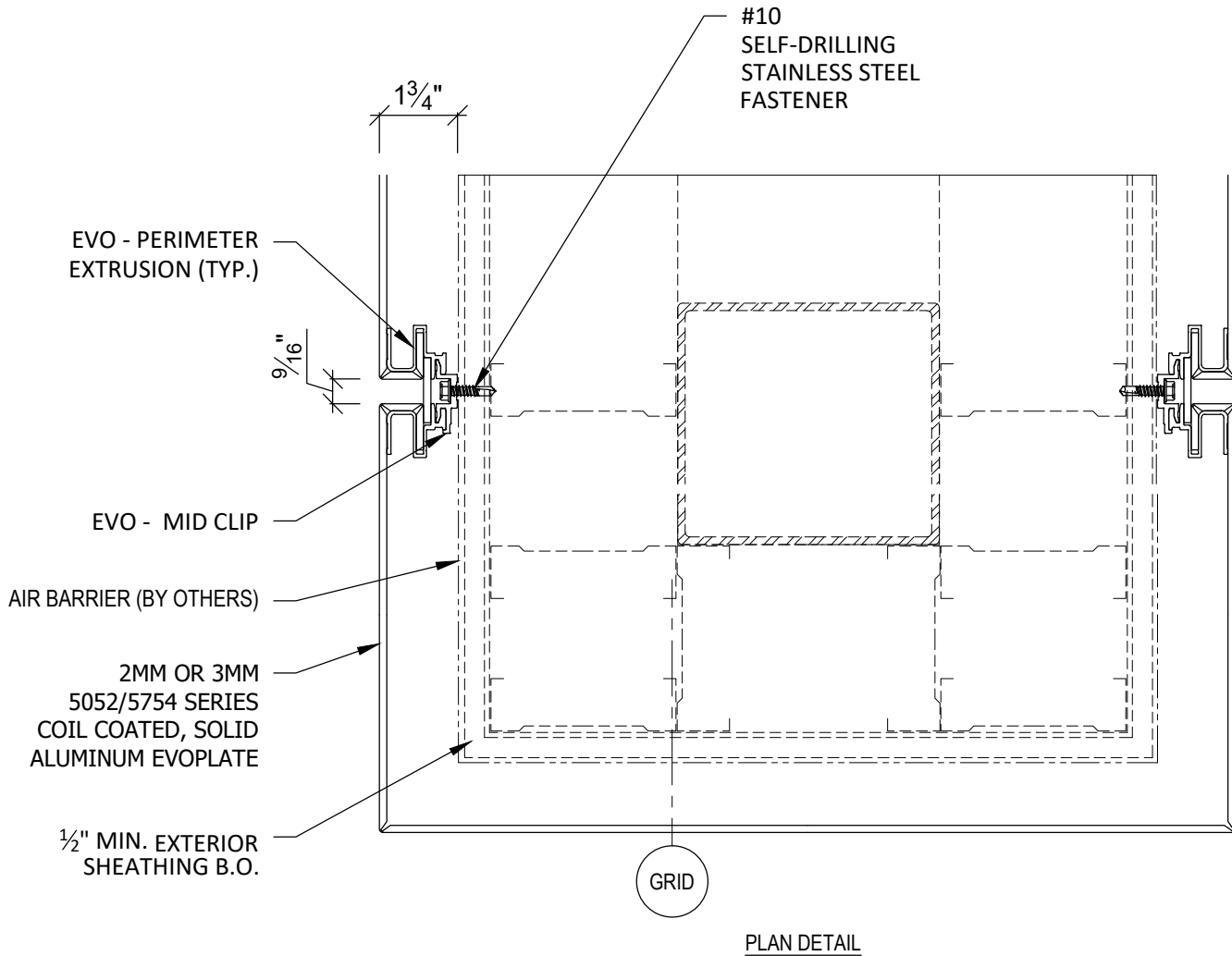
WALL SOLUTION: OUTSIDE CORNER DETAIL ( PLAN )



**CARTER**  
ARCHITECTURAL PANELS INC

"Changing the Standard by Design"  
BUILDING ENVELOPE SOLUTIONS

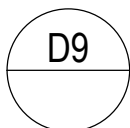
CARTER ARCHITECTURAL PANELS INC.  
221 E. WILLIS ROAD, BUILDING A, UNIT 18  
CHANDLER, AZ 85286  
TOLL FREE: 1-844-888-5088  
PHONE: (480) 899-3955  
FAX: (480) 899-3613  
www.carterpanels.com



PLAN DETAIL

NOTES:

1. INSTALLATION TO BE COMPLETED IN ACCORDANCE WITH MANUFACTURER'S SPECIFICATIONS.
2. DO NOT SCALE DRAWING.
3. THIS DRAWING IS INTENDED FOR USE BY ARCHITECTS, ENGINEERS, CONTRACTORS, CONSULTANTS AND DESIGN PROFESSIONALS FOR PLANNING PURPOSES ONLY. THIS DRAWING MAY NOT BE USED FOR CONSTRUCTION.
4. ALL INFORMATION CONTAINED HEREIN WAS CURRENT AT THE TIME OF DEVELOPMENT BUT MUST BE REVIEWED AND APPROVED BY THE PRODUCT MANUFACTURER TO BE CONSIDERED ACCURATE.
5. CONTRACTOR'S NOTE: FOR PRODUCT AND COMPANY INFORMATION VISIT [www.CADdetails.com/info](http://www.CADdetails.com/info) AND ENTER REFERENCE NUMBER : EVO - EVOPLATE-D9



**OUTSIDE CORNER**

PANEL SYSTEM: OUTSIDE CORNER DETAIL ( PLAN )

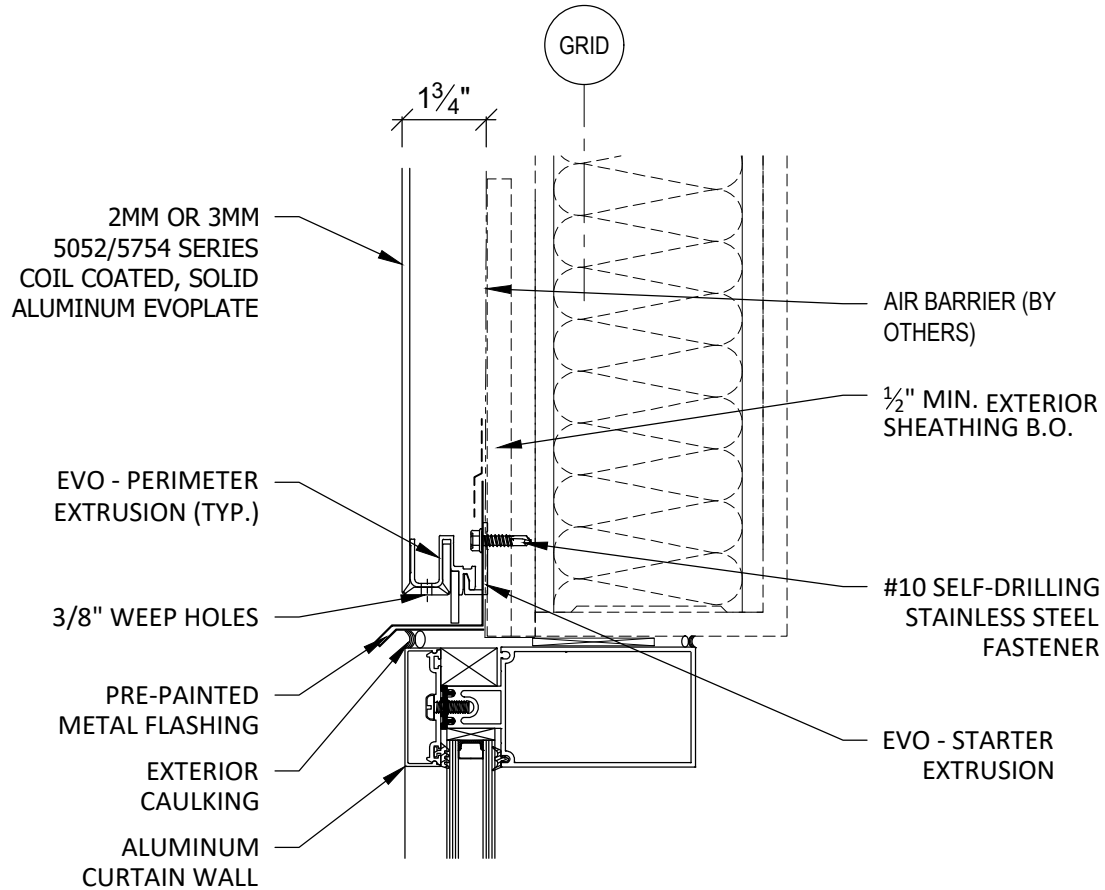




**CARTER**  
ARCHITECTURAL PANELS INC

"Changing the Standard by Design"  
BUILDING ENVELOPE SOLUTIONS

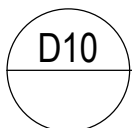
CARTER ARCHITECTURAL PANELS INC.  
221 E. WILLIS ROAD, BUILDING A, UNIT 18  
CHANDLER, AZ 85286  
TOLL FREE: 1-844-888-5088  
PHONE: (480) 899-3955  
FAX: (480) 899-3613  
www.carterpanels.com



SECTION DETAIL

NOTES:

1. INSTALLATION TO BE COMPLETED IN ACCORDANCE WITH MANUFACTURER'S SPECIFICATIONS.
2. DO NOT SCALE DRAWING.
3. THIS DRAWING IS INTENDED FOR USE BY ARCHITECTS, ENGINEERS, CONTRACTORS, CONSULTANTS AND DESIGN PROFESSIONALS FOR PLANNING PURPOSES ONLY. THIS DRAWING MAY NOT BE USED FOR CONSTRUCTION.
4. ALL INFORMATION CONTAINED HEREIN WAS CURRENT AT THE TIME OF DEVELOPMENT BUT MUST BE REVIEWED AND APPROVED BY THE PRODUCT MANUFACTURER TO BE CONSIDERED ACCURATE.
5. CONTRACTOR'S NOTE: FOR PRODUCT AND COMPANY INFORMATION VISIT [www.CADdetails.com/info](http://www.CADdetails.com/info) AND ENTER REFERENCE NUMBER : EVO - EVOPLATE-D10



**HEAD**

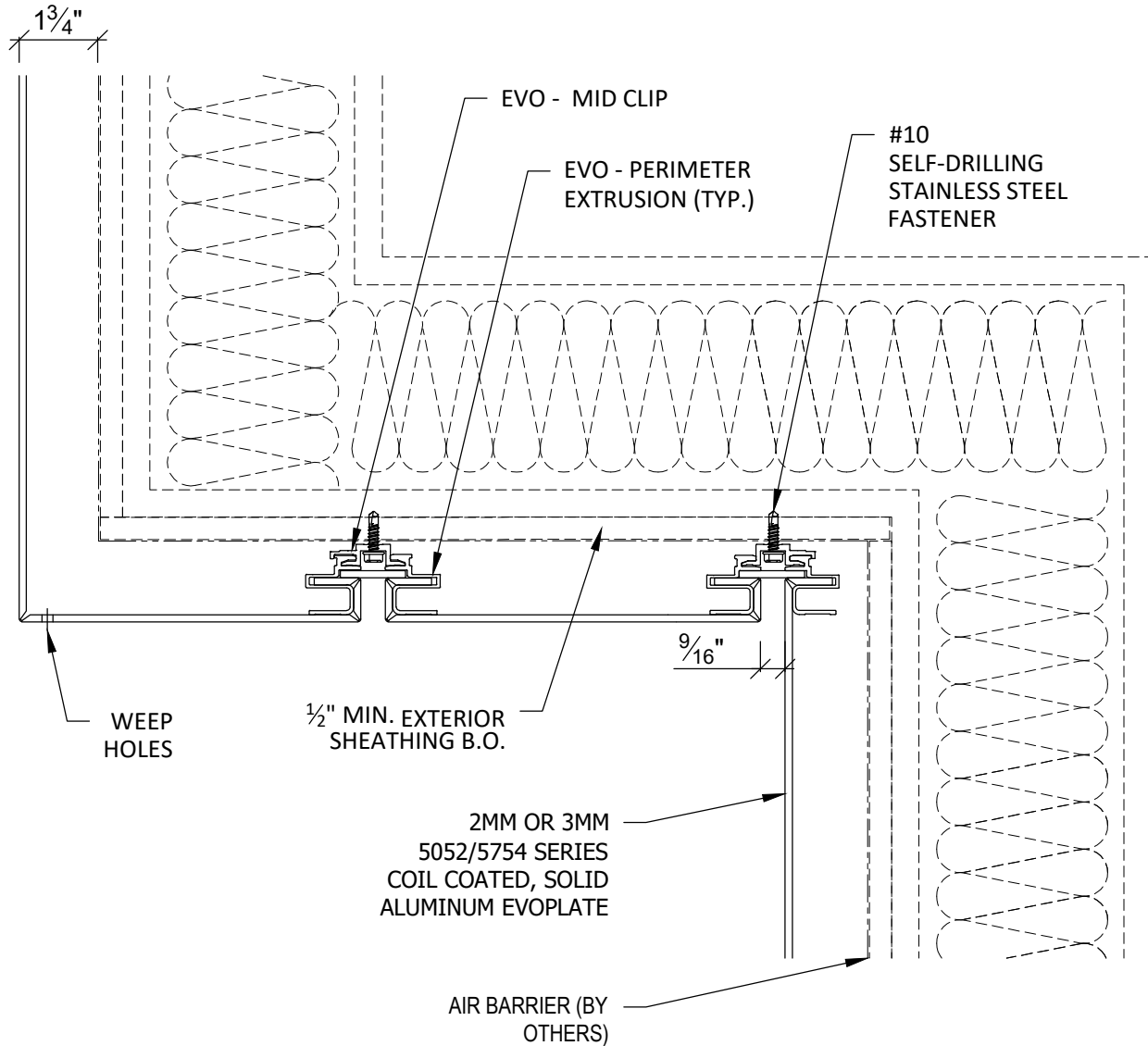
WALL SOLUTION: HEAD DETAIL ( SECTION )



**CARTER**  
ARCHITECTURAL PANELS INC

"Changing the Standard by Design"  
BUILDING ENVELOPE SOLUTIONS

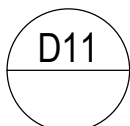
CARTER ARCHITECTURAL PANELS INC.  
221 E. WILLIS ROAD, BUILDING A, UNIT 18  
CHANDLER, AZ 85286  
TOLL FREE: 1-844-888-5088  
PHONE: (480) 899-3955  
FAX: (480) 899-3613  
www.carterpanels.com



SECTION DETAIL

NOTES:

1. INSTALLATION TO BE COMPLETED IN ACCORDANCE WITH MANUFACTURER'S SPECIFICATIONS.
2. DO NOT SCALE DRAWING.
3. THIS DRAWING IS INTENDED FOR USE BY ARCHITECTS, ENGINEERS, CONTRACTORS, CONSULTANTS AND DESIGN PROFESSIONALS FOR PLANNING PURPOSES ONLY. THIS DRAWING MAY NOT BE USED FOR CONSTRUCTION.
4. ALL INFORMATION CONTAINED HEREIN WAS CURRENT AT THE TIME OF DEVELOPMENT BUT MUST BE REVIEWED AND APPROVED BY THE PRODUCT MANUFACTURER TO BE CONSIDERED ACCURATE.
5. CONTRACTOR'S NOTE: FOR PRODUCT AND COMPANY INFORMATION VISIT [www.CADdetails.com/info](http://www.CADdetails.com/info) AND ENTER REFERENCE NUMBER : EVO - EVOPLATE-D11



**SOFFIT**

WALL SOLUTION: SOFFIT DETAIL ( SECTION )